

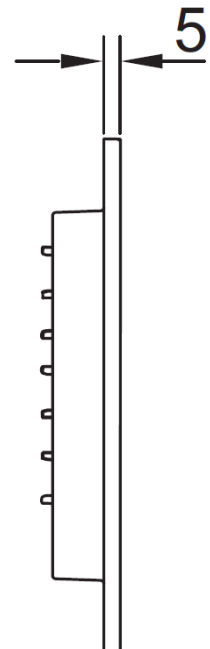
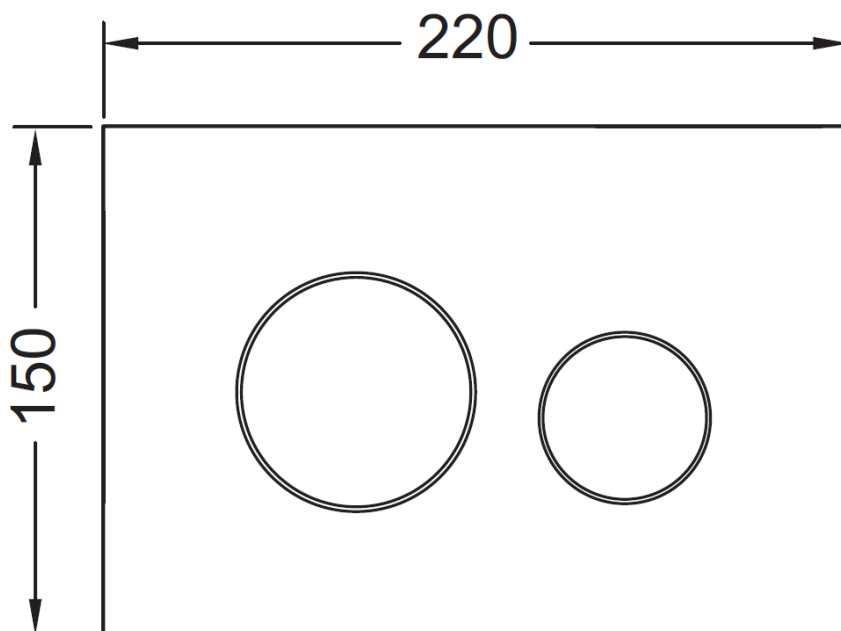
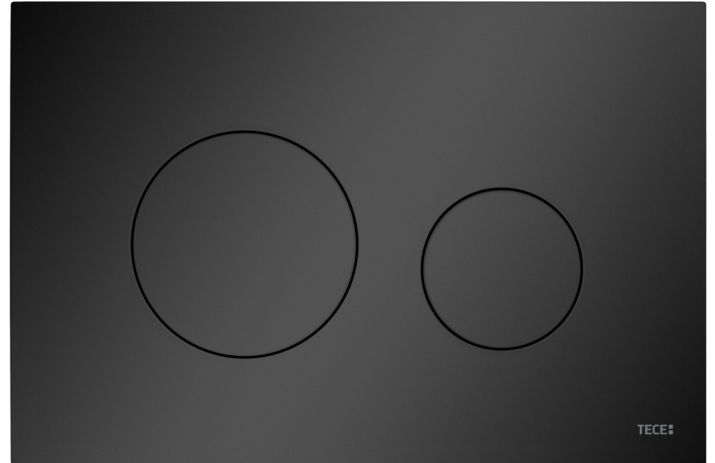
TECEloop ABS Flush Button

TECE
close to you

Gloss White -	9.240.920
Chrome -	9.240.921
Matte Chrome -	9.240.922
Gloss Black -	9.240.924
Matte Black -	9.240.925
Matte White -	9.240.926

Suitable for use with all TECE Cisterns

Minimum wall thickness for button installation
is 18mm (includes sheeting and tiles)



Proudly imported and distributed by
Gro Agencies Pty Ltd
Unit 2 / 37 Howe St, Osborne Park, WA, 6017
P 08 9446 3288 E info@groagencies.com.au W www.groagencies.com.au

gro
agencies